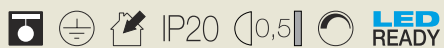
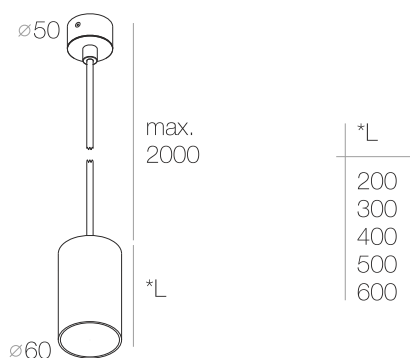


Lexo

Zwieszane | Suspended



Lexo



200: **5-0042#**
300: **5-0043#**
400: **5-0247#**
500: **5-0248#**
600: **5-0249#**
(# - A/B/C/D)

230V / GU10

Nie wymaga transformatora
/ Transfo not required



1x QPAR16 max.50W